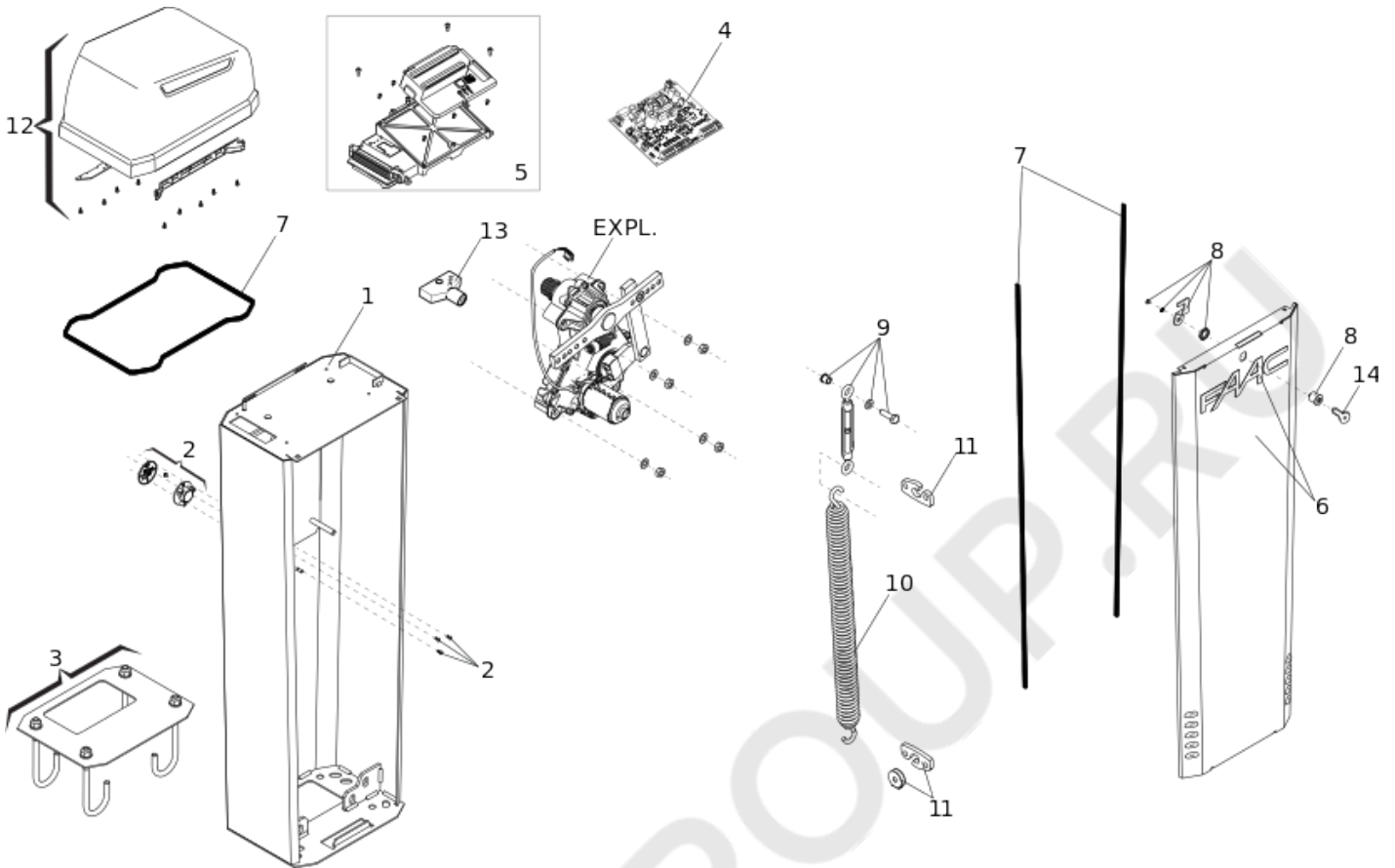


# B614

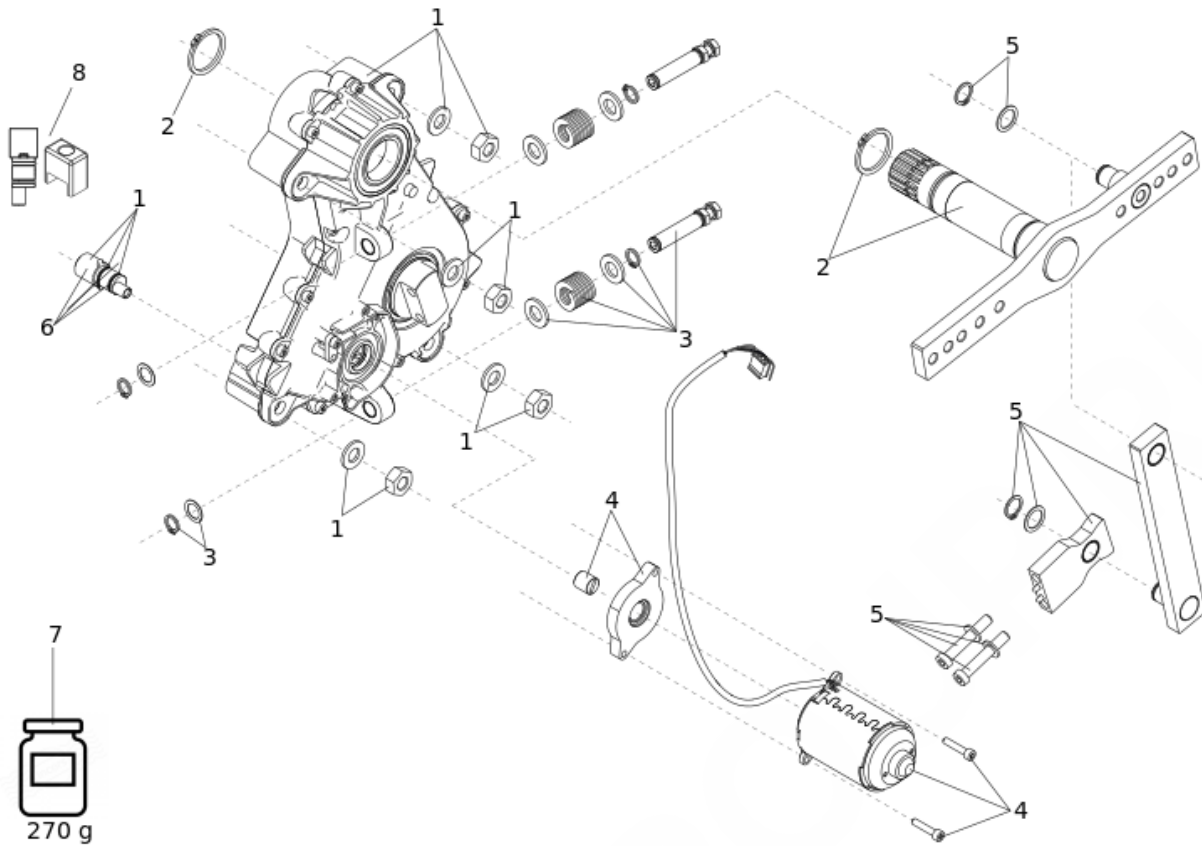


Pos.	Code	EAN	Quantity	Replacement code	Description	Salable
1	63001040	8055195051452	1		B614 HOUSING	yes
2	63001042	8055195051476	1		B614 MANUAL RELEASE GROUP	yes
3	490183	8055195046885	1		B614 BASE PLATE GROUP	yes
4	63001034	8055195051124	1		B614 230V ELECTRONIC BOARD	yes
5	63001043	8055195051483	1		B614 ELECTRONIC BOARD PLASTIC SUPPORT	yes
6	63001039	8055195051445	1		B614 DOOR	yes
7	63001041	8055195051469	1		B614 DOOR AND UPPER COVER SEAL	yes
8	63001044	8055195051490	1		B614 KEY LOCK GROUP	yes
9	63001033	8055195051117	1		B614 SPRING ACCESSORIES	yes

Pos.	Code	EAN	Quantity	Replacement code	Description	Salable
10	721209	8055195046694	1		BALANCING SPRING B614	yes
11	490186	8055195045420	1		DOUBLE PACK ATTACKS FOR SPRING B614	yes
12	63001038	8055195051438	1		B614 UPPER COVER	yes
13	713002	8055195010886	1		402 RELEASE KEY	yes
14	63003421	8055195062267	1		B614 DOOR KEY (10pcs)	yes

FAAC-GROUP.RU

# B614 GEARMOTOR



Pos.	Code	EAN	Quantity	Replacement code	Description	Salable
001	63001028	8055195051063	1		B614 GEARBOX GROUP	yes
002	63001031	8055195051094	1		B614 SHAFT AND BALANCING LEVER	yes
003	63001030	8055195051087	2		B614 STOPPER GROUP	yes
004	63001029	8055195051070	1		B614 ELECTRIC MOTOR	yes
005	63001032	8055195051100	1		B614 SECOND LEVER WITH BUSHINGS	yes
006	63001042	8055195051476	1		B614 MANUAL RELEASE GROUP	yes
007	714037	8055195048094	1		Renolit Grease (10 kg )	yes
008	63003513		1		Kit B614 unlock system	yes